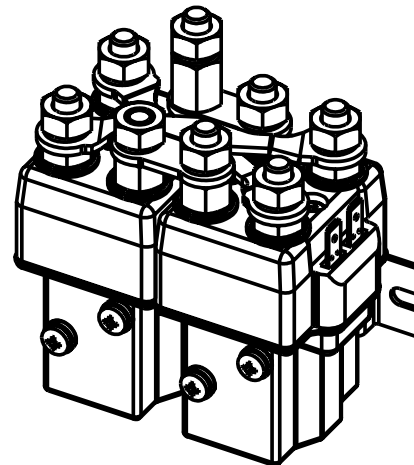
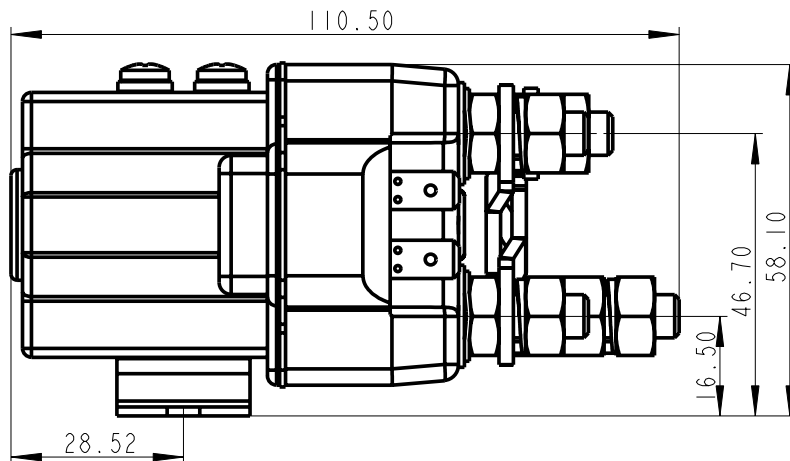


CONNECTION DIAGRAMS

All dimensions in mm.



- Rated coil voltage : 48 V \*
- Rated Current Continuous : 100 A
- \* 12 V , 24 V , 36 V By order



**DC Contactor**  
**Model EN 934048**